

panel not included

AC-STAND-75

INTERACTIVE FLAT PANEL STAND/CART

USER MANUAL

The AC-STAND-75 is designed to fit interactive flat panel displays up to 75 inches. Please review this guide to learn how to safely use your product.

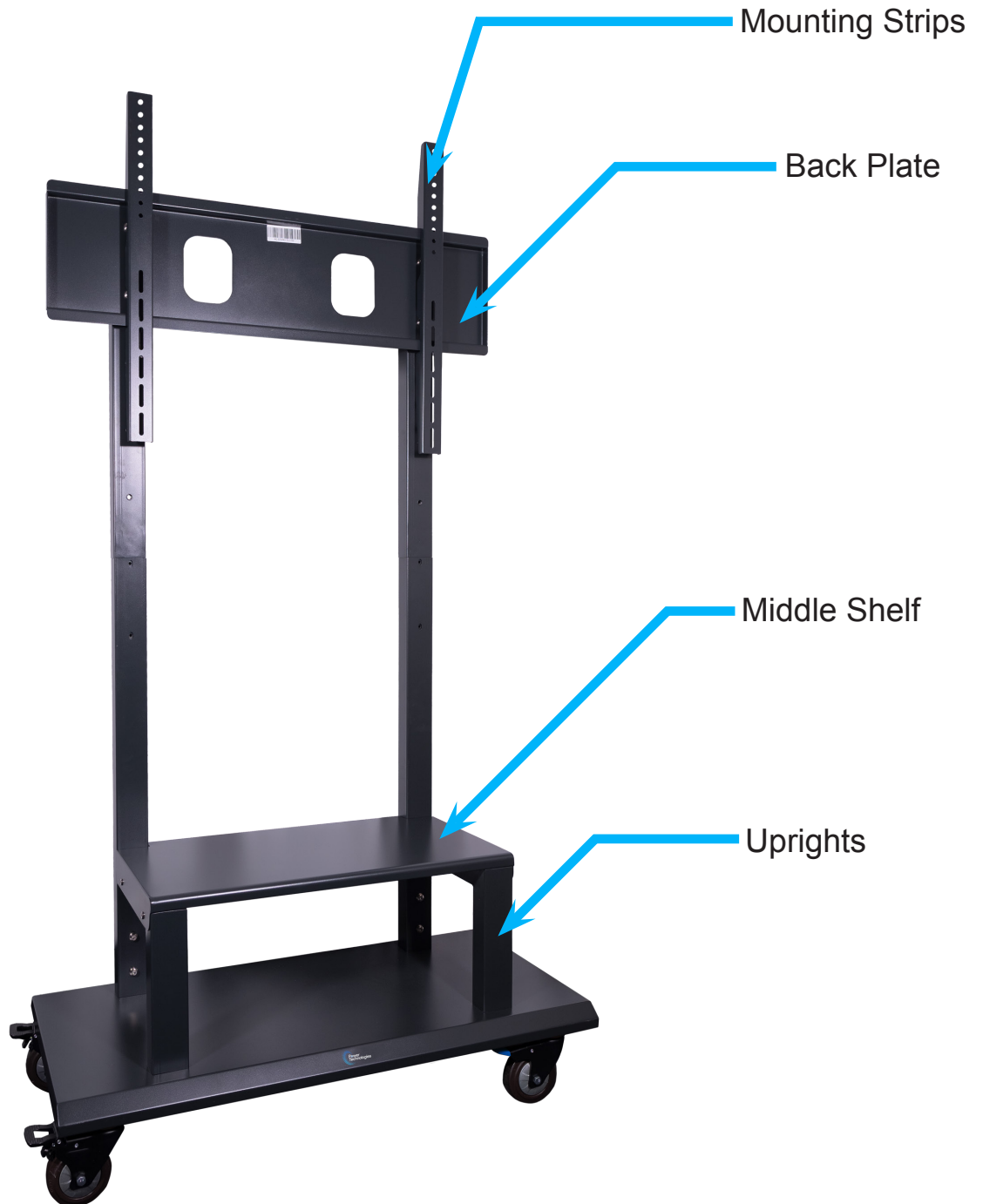
Specifications:

Model		AC-STAND-75
VESA Dimensions Adjustable Mounting Brackets (mm)		200x200, 400x200, 400x300, 400x400, 600x400, 800x400
Exterior Dimensions	Inch	232.5 (D) x 43.5 (W) & 62.5 (H)
	mm	5906 (D) x 1105 (W) & 1588 (H)
Product Weight (Weight Without Devices)		122 lbs (55.33 kg)
Shipping Weight		128 lbs (58.06 kg)
Maximum Display Size Supported		supports upto 86 inch (2184 mm)
Supported Devices		Wall mount televisions and flat panels
Power Specifications		NA
Charging Type		NA
Security		NA
Casters		Four 4" Casters; 2-Locking, 2- Directional
Work Platform Loading		200 lbs (90.7 kg)
Working Temperature		NA
Working RH%		NA
Storage Temperature		NA
Storage RH%		5% - 95%
Warranty		Lifetime Frame, 2 Years Components

Specifications subject to change without notice.

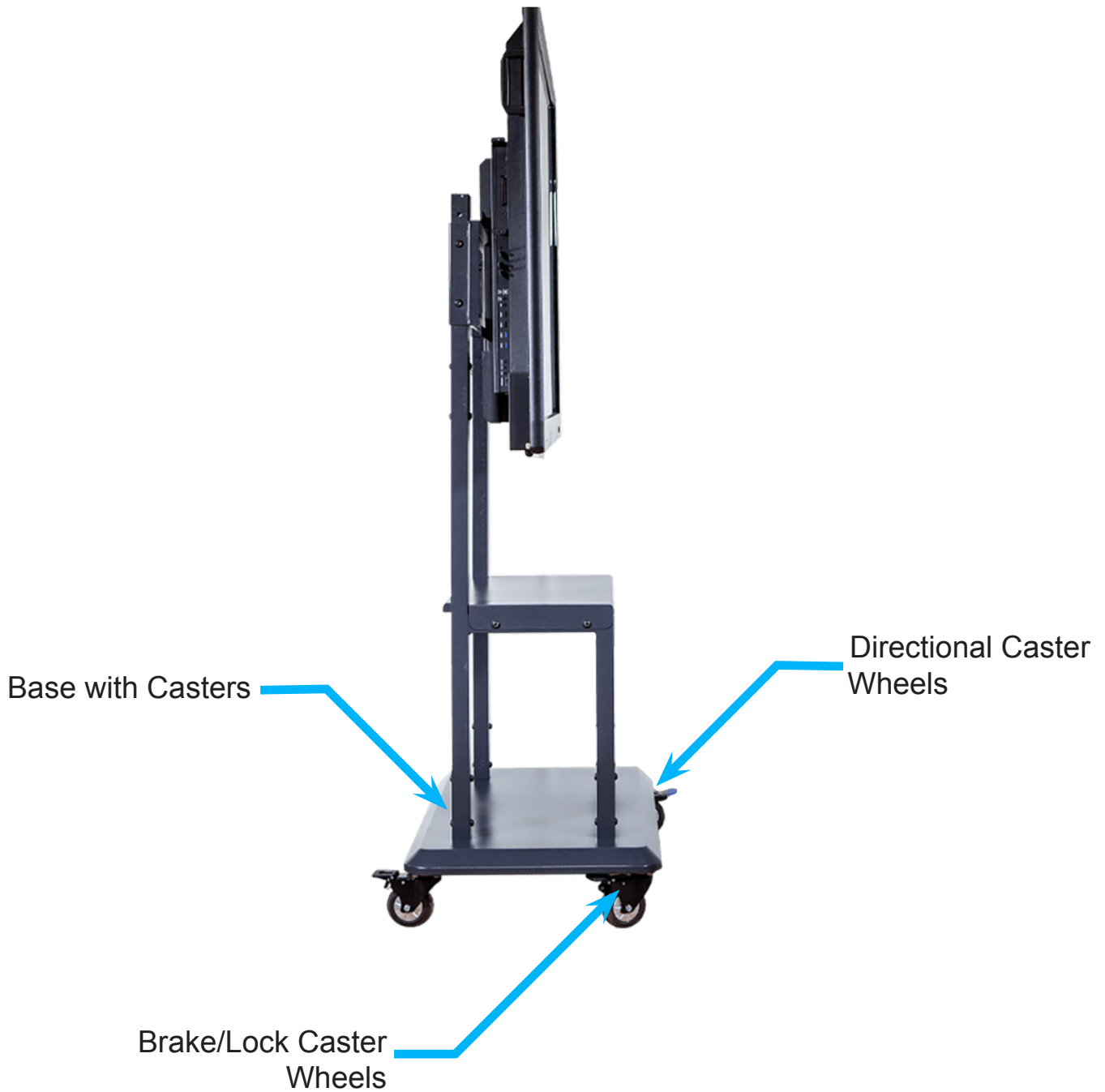
The AC-STAND-75 is designed to fit interactive flat panel displays up to 75 inches.

Please review this guide to learn how to safely use your product.



Front View of Stand

- If the device (Laptop / Chromebook) thickness is more than the gap between the dividers, remove one of the dividers to create enough space for your device.

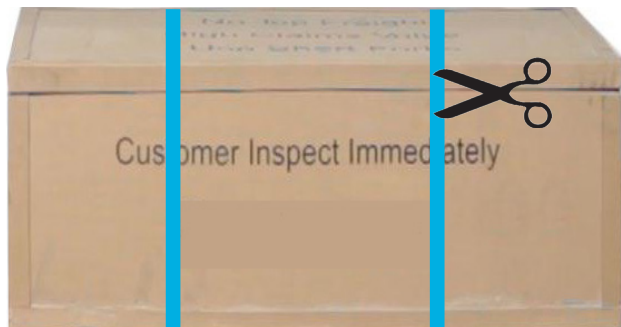


Right View of Stand

panel not included

REMOVING FROM BOX

Step-1: Remove the strapping with scissors or plier cutters. Do not use a box cutter.

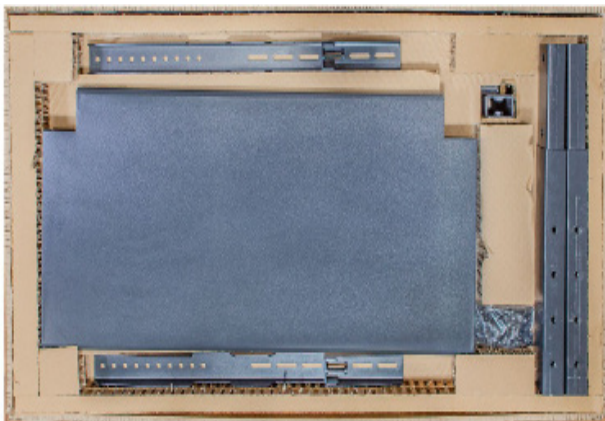


Step-2: Lift and Remove the top cardboard lid

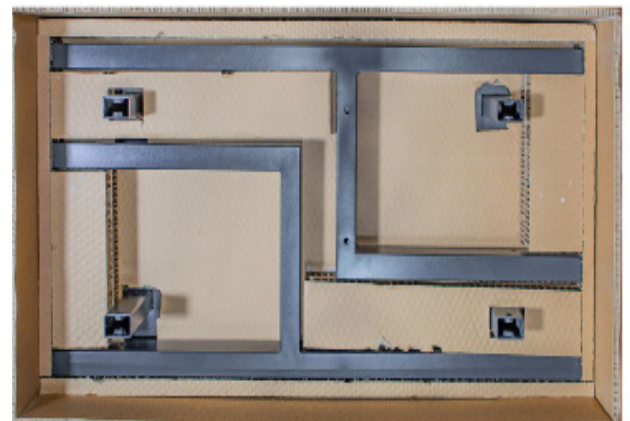


Step-3: Your Stand arrives in 1 box and contains 4 layers for ease of assembly.

Layer 1



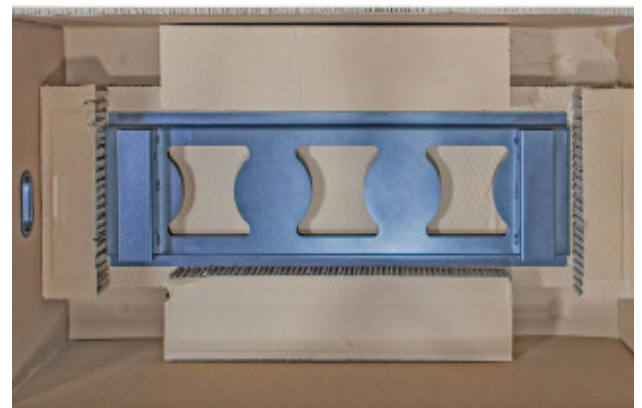
Layer 2



Layer 3

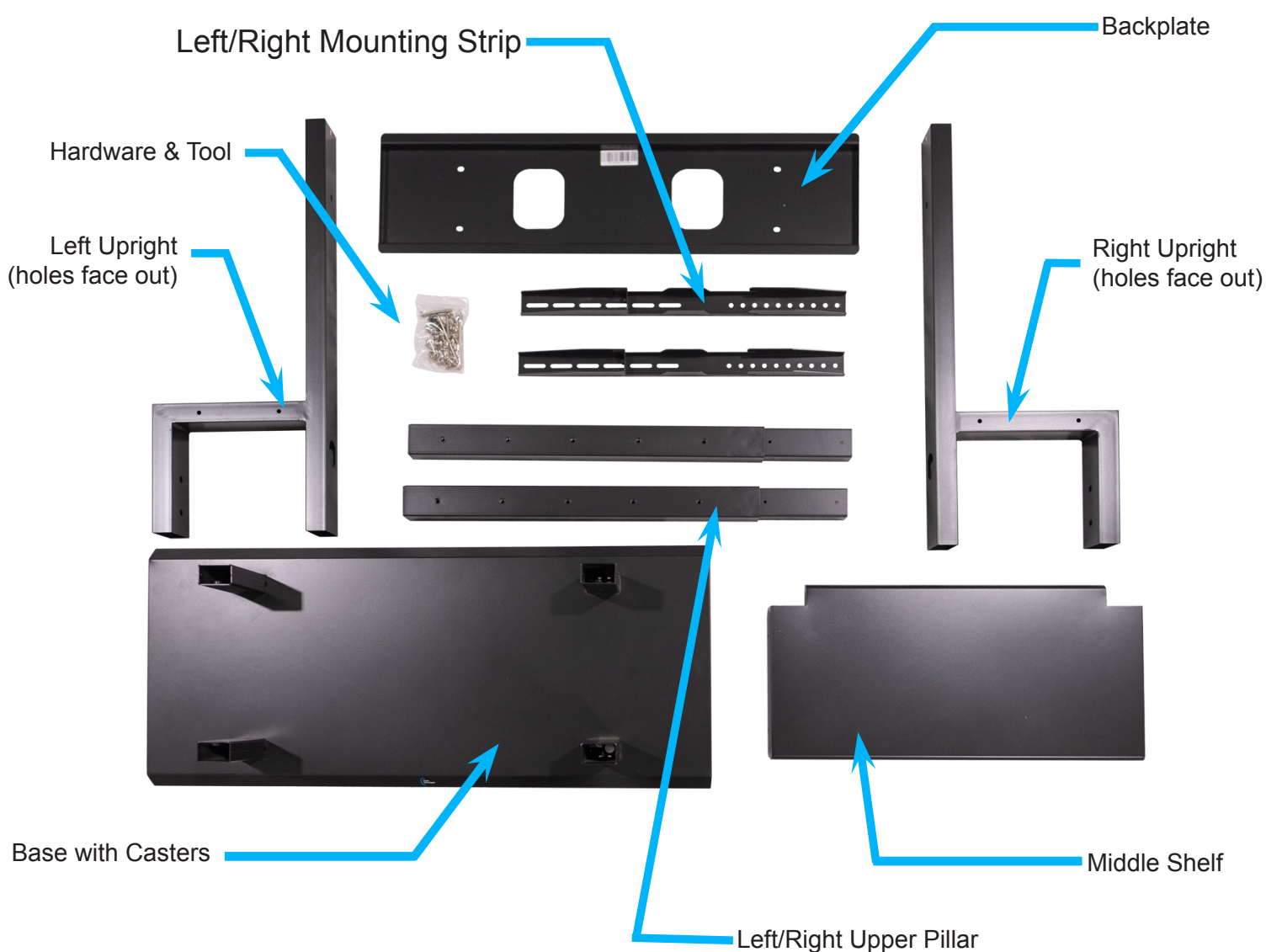


Layer 4



Identifying Parts

1. Carefully remove all parts from box.
2. Locate the bag of hardware as this will be needed throughout the installation.
3. Lay parts out on a flat surface (see below).
4. Ensure no parts are missing.



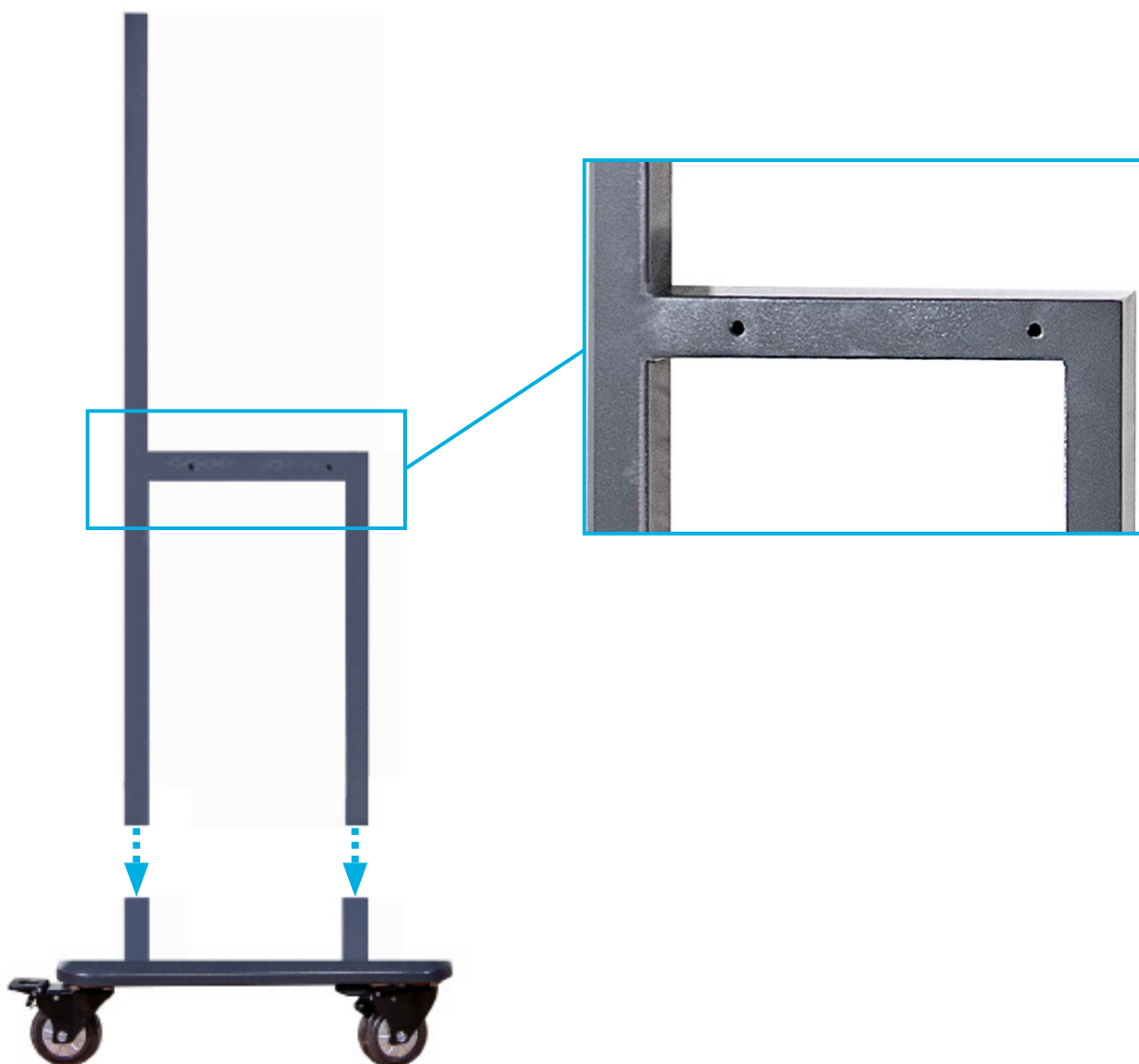
SETTING UP STAND :

Step-1: Place the Base on a flat surface.

Step-2: Find the Uprights and ensure the holes are on the outside.

Step-3: Slide both left and right Uprights into the Base's posts.

Step-4: Loosely fit the screws connecting the left and right uprights to the base of the stand. Do not fully tighten hardware at this point.

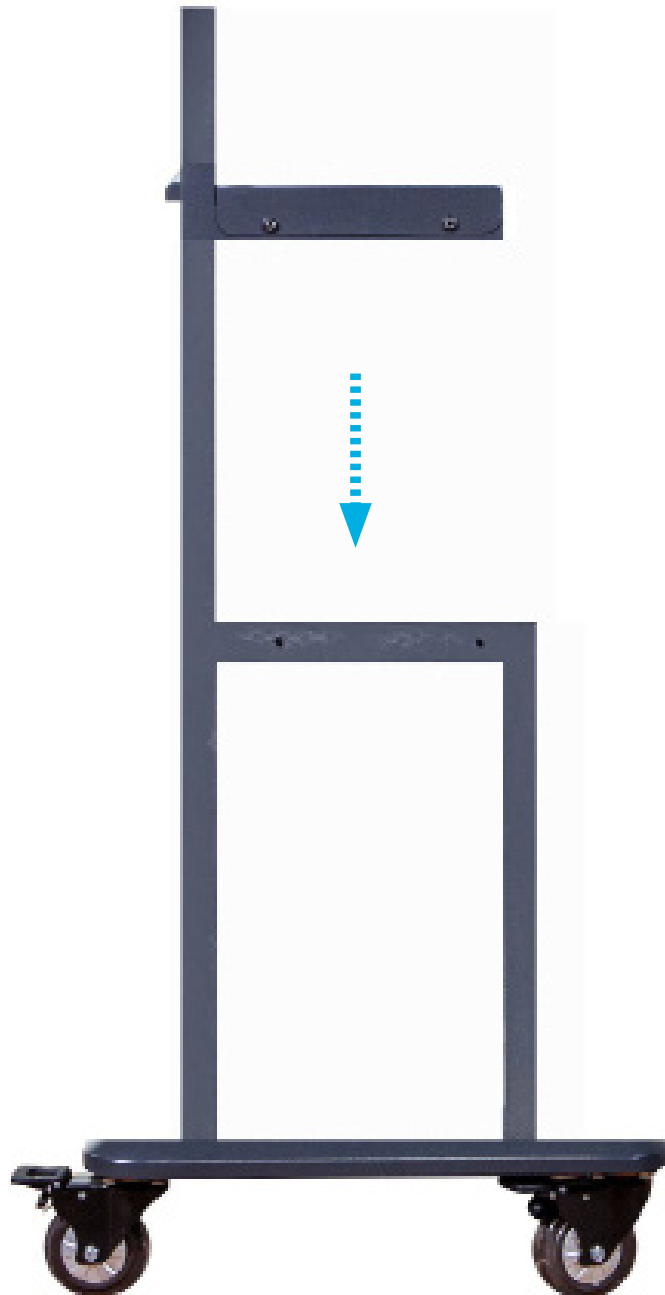


SETTING UP STAND :

Step-5: Find the Middle Shelf.

Step-6: Slide it in place so the notches are toward the long (back) edges of the Uprights.

Step-7: Loosely fit the screws on the outside of the left and right uprights to connect the middle shelf. Do not fully tighten hardware at this point.



SETTING UP STAND :

Step-8: Find the Left and Right Upper Pillars.

Step-9: Fit them into the Uprights so the 4 holes are facing the sides.

Step-10: Loosely fit the screws connecting the left and right upper pillars to the uprights. Do not fully tighten hardware at this point.



SETTING UP STAND :

Step-11: Find the Backplate.

Step-12: Facing the back of the stand, Fit the Backplate onto the Uprights so the post slides are facing you.

Step-13: Loosely fit the screws connecting the backplate onto the upper pillars. Do not fully tighten hardware at this point.

Step-14: Once the unit is in its desired position, extend the anti-tip support bar completely. Twist the bar clockwise until it clicks into a locked position to secure and stabilize the unit.



SETTING UP STAND :

Step-15: Starting from the top, working to the bottom, tighten all hardware with the provided hex wrench.

Step-16: The Left and Right Mounting Strips are installed on your flat panel screen using your own VESA mounting bolts and hung onto the Backplate.



Casters Positions

This cart is equipped with Casters that have an “Blue” color foot pedal.

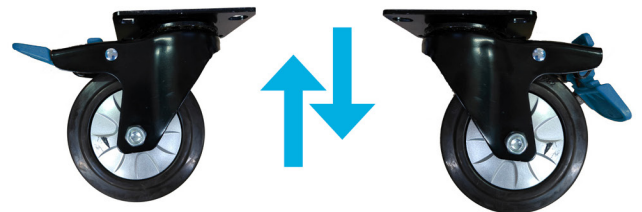
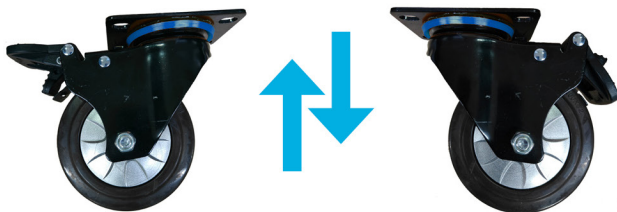
Engage the Directional Locking Casters by pressing the blue foot pedal down. Your cart will now easily track in a straight line.

Release the Direction Lock by lifting up on the foot pedal. The cart will have its full swivel motion restored.



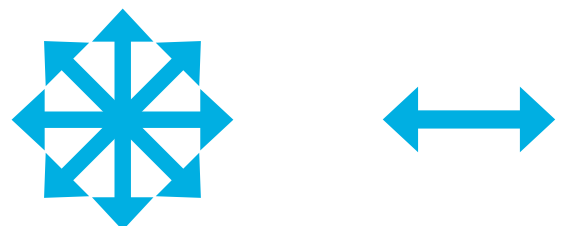
“Engage the BLACK foot pedal to securely lock the wheels, keeping the cart safely in place.”

“Engage the blue foot pedal for a seamless and precise straight-line movement, making navigation a breeze.”



“With a simple release of the BLACK foot pedal, allowing you to navigate effortless with unparalleled flexibility.”

“With a simple release of the blue foot pedal, embrace a world of precision and grace in your swivel motion, making maneuvering a breeze.”





Important

Failure to read, thoroughly understand, and follow all instructions can result in serious personal injury, damage to equipment, or voiding of factory warranty. It is the installer's responsibility to make sure all mounting systems are properly assembled and installed using the instructions provided.

Failure to provide adequate structural strength for this mounting system can result in serious personal injury or damage to equipment. It is the installer's responsibility to make sure the structure to which this mounting system is attached can support the combined weight of all equipment.

Exceeding the weight capacity can result in serious personal injury or damage to equipment! It is the installer's responsibility to make sure the combined weight of all accessories and components attached to the cart does not exceed 200 lbs (90.7 kg). Use with heavier televisions may result in instability causing tip over resulting in death or serious injury.

Use this mounting system only for its intended use as described in these instructions. Do not use attachments not recommended by the manufacturer.

Never operate this mounting system if it is damaged. Return the mounting system to a service center for examination and repair.

For warranty claims, please have the following information ready, then visit :

www.powertechnologies.com

To create a help ticket.

Serial Number:

Charging System Type:

Date Of Purchase:

Reseller Name:

PO Number:

For further information on this product and others, contact Power Technologies at.

Power Technologies
42035 Zevo Dr
Temecula, CA 92590+
888.650.4488

support@powertechnologies.com

www.powertechnologies.com
